



**belling**








**SANDRINGHAM/COOKCENTRE/FARMHOUSE**

User manual - Gas (100/110 cm)

## COUNTRIES OF DESTINATION:

GB - Great Britain	✓
IE - Ireland	✓
DE - Germany	
ES - Spain	
FR - French	
IT - Italy	
PL - Poland	
NL - Netherlands	
SE - Sweden	
CN - China	
NZ - New Zealand	
AU - Australia	

## TO CONTACT BELLING ABOUT YOUR APPLIANCE, PLEASE CALL:

	<b>Customer Care Helpline</b> 0344 815 3746 In case of difficulty within the UK
	<b>Warranty Registration</b> 0800 952 1068
	<b>Spares Store</b> 0344 815 3745
	To register your appliance online: <a href="http://www.belling.co.uk">www.belling.co.uk</a>
	To contact us by email: <a href="mailto:gdhainfo@gdha.com">gdhainfo@gdha.com</a>
	To register your appliance by mail: Please complete the warranty card and return to the address supplied
	Alternatively general, spares and service information is available from our website at: <a href="http://www.belling.co.uk">www.belling.co.uk</a>

Calls are charged at the basic rate, please check with your telephone service provider for exact charges

Your new appliance comes with our 12-month guarantee (UK only), protecting you against electrical and mechanical breakdown. To register, please complete the registration form included, register online or by phone. For full terms & conditions of the manufacturer's guarantee, please refer to the website above. In addition, you may wish to purchase an extended warranty. A leaflet explaining how to do this is included with your appliance.

Our policy is one of constant development and improvement, therefore we cannot guarantee the strict accuracy of all of our illustrations and specifications. Changes may have been made subsequent to publishing.

**Glen Dimplex Home Appliances, Stoney Lane,  
Prescot, Merseyside, L35 2XW**



## **CONTENTS**

---

INTRODUCTION	4
SAFETY	5
GETTING TO KNOW YOUR PRODUCT	7
USING YOUR APPLIANCE	9
USING THE GRILL	11
USING THE MAIN OVEN - GAS	13
COOKING GUIDE	15
BAKING GUIDE	16
ROASTING GUIDE	20
CLOCK/PROGRAMMER	22
REMOVING SHELF RUNNERS	26
CLEANING YOUR APPLIANCE	27
TECHNICAL DATA	28

# INTRODUCTION

---

Thank you for buying this British-built appliance from us.

This user guide book is designed to help you through each step of owning your new product.

Please read it carefully before you start using your appliance, as we have endeavored to answer as many questions as possible, and provide you with as much support as we can.

General information, spares and service information is available from our website.

If you should find something missing from your product or have any questions that are not covered in this user guide, please contact us (see contact information inside the front cover).

## EUROPEAN DIRECTIVES

As a producer and a supplier of cooking appliances we are committed to the protection of the environment and are in compliance with the WEEE directive. All our electric products are labelled accordingly with the crossed out wheeled bin symbol. This indicates, for disposal purposes at end of life, that these products must be taken to a recognized collection points, such as local authority sites/local recycling centres.

This appliance Complies with European Community Directives (CE) for household and similar electrical appliances and Gas appliances where applicable.

This appliance conforms to European Directive regarding Eco design requirements for energy-related products. Our policy is one of constant development and improvement, therefore we cannot guarantee the strict accuracy of all of our illustrations and specifications – changes may have been made subsequent to publishing.

## DISPOSAL OF PACKAGING MATERIAL



The packaging materials used with this appliance can be recycled. Please dispose of the packaging materials in the appropriate container at your local waste disposal facilities.

**⚠ GAS WARNING!** - If you smell gas: Do not try to light any appliance, Do not touch any electrical switch. Contact your local gas supplier immediately.

## SAFETY

---

### WARNING

- ⚠ Never put items directly on the base of the oven or cover the oven with foil, as this can cause the base element to overheat.
- ⚠ Accessible parts may become hot when the grill is in use. Children should be kept away
- ⚠ Do not place articles on or against the appliance.
- ⚠ Always switch off your appliance and allow it to cool down before you clean any part of it.
- ⚠ Although every care has been taken to ensure this appliance has no sharp edges, we recommend that you wear protective gloves when installing and moving this appliance. This will prevent injury.
- ⚠ This appliance must be fitted to a switch providing all pole disconnection with a minimum contact separation of 3mm.
- ⚠ Connection should be made with a suitable flexible cable with a minimum temperature of 70°C.
- ⚠ Do not use a steam cleaner on any cooking range, hob or oven appliance.
- ⚠ If your appliance is fitted with a lid, any spillage should be removed from the lid before opening. The hob surface should be allowed to cool before closing the lid (if fitted).
- ⚠ To avoid electric shock, ensure that the appliance is switched off before replacing the lamp.
- ⚠ The appliance is not intended to be operated by means of an external timer or separate control system.
- ⚠ Unattended cooking on a hob with fat or oil can be dangerous and may result in fire.
- ⚠ NEVER try to extinguish a fire with water, but switch off the appliance and then cover the flame with a lid or damp cloth.
- ⚠ Danger of fire: Do not store items on the cooking surfaces.
- ⚠ Only use hob guards designed by the manufacturer of the cooking appliance or indicated by the manufacturer of the appliance in the instructions for use as suitable or hob guards incorporated in the appliance. The use of inappropriate hob guards can cause accidents.
- ⚠ If the cooker is placed on a base, measures have to be taken to prevent the appliance slipping from the base.
- ⚠ The cooking process has to be supervised. A short term cooking process has to be supervised continuously.
- ⚠ This appliance must not be installed behind a decorative door in order to avoid overheating.
- ⚠ Ensure shelving is correctly installed. See the sections on the shelf runners and shelf location within this book.
- ⚠ This appliance is for cooking purposes only. It must not be used for other purposes, for example room heating.

## CAUTION

- ⚠ The use of a gas cooking appliance results in the production of heat, moisture and products of combustion in the room in which it is installed. Ensure that the kitchen is well ventilated especially when the appliance is in use: keep natural ventilation holes open or install a mechanical ventilation device (mechanical extractor hood). Prolonged intensive use of the appliance may call for additional ventilation, for example opening of a window, or more effective ventilation, for example increasing the level of mechanical ventilation where present.
- ⚠ If the appliance is turned off at the wall, it needs to be left for 60 seconds before using the main oven. Failure to do this will mean the main oven interrupter will shut off the main oven within 60 seconds of turning the main oven on. This is a design feature and not a fault.

## FIRE SAFETY ADVICE

- ⚠ If you do have a fire in the kitchen, don't take any risks – get everyone out of your home and call the Fire Service.

If you have an electrical fire in the kitchen:

1. Pull the plug out, or switch off the power at the fuse box – this may be enough to stop the fire immediately
2. Smother the fire with a fire blanket, or use a dry powder or carbon dioxide extinguisher

- ⚠ Remember: never use water on an electrical or cooking oil fire.

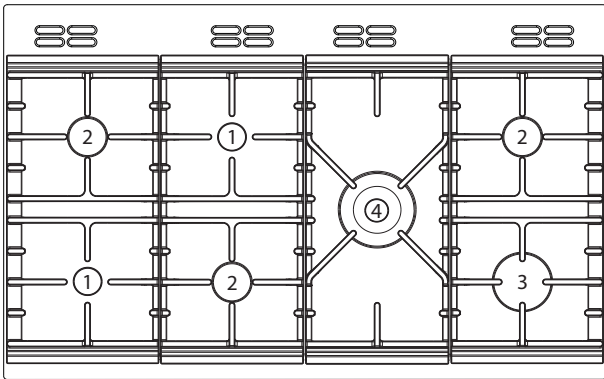
## OTHER SAFETY ADVICE

- ⚠ Servicing should be carried out only by authorised personnel.
- ⚠ Do not operate the appliance without the glass panel correctly fitted.
- ⚠ There is a risk of electric shock, so always make sure you have turned off and unplugged your appliance. Always allow the product to cool down before you change a bulb.
- ⚠ Do not modify the outer panels of this appliance in any way.
- ⚠ This appliance must be earthed.
- ⚠ The appliance must never be disconnected from the mains supply during use, as this will seriously affect the safety and performance, particularly in relation to surface temperatures becoming hot and gas operated parts not working efficiently. The cooling fan (if fitted) is designed to run on after the control knob has been switched off.

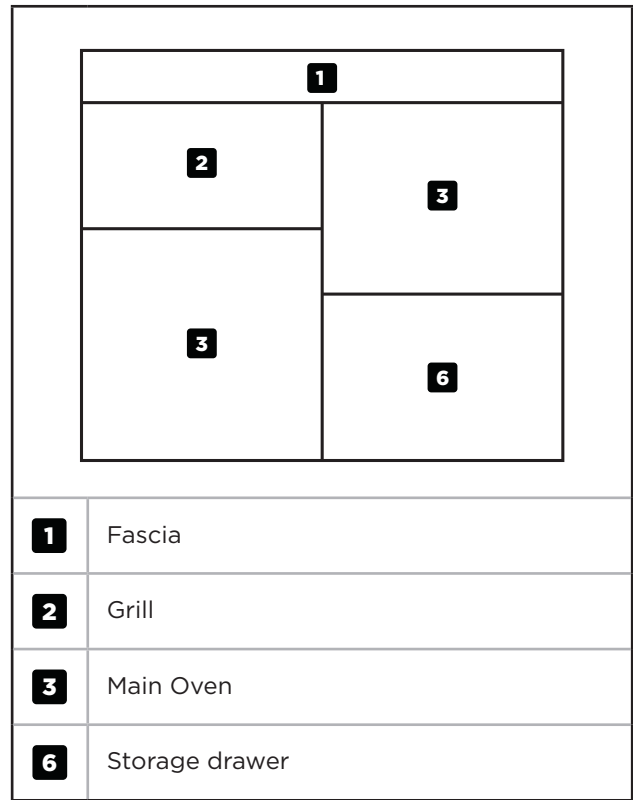
# GETTING TO KNOW YOUR PRODUCT

**i** Note: Your appliance layout may differ depending on the model.

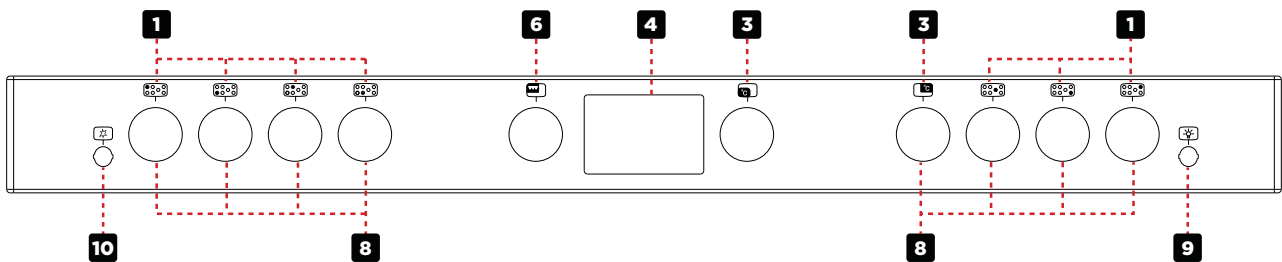
## HOB



## OVERVIEW



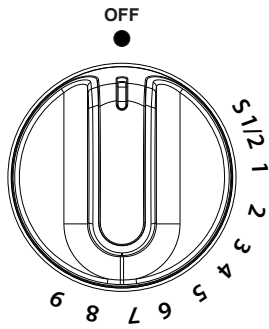
## CONTROL PANEL



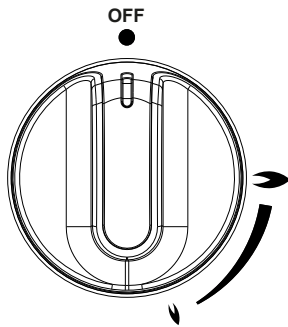
<b>1</b>	Cook Zones	<b>6</b>	Grill
<b>3</b>	Oven	<b>8</b>	Hob and Oven controls
<b>4</b>	Clock/Programmer	<b>9</b>	Light switch
<b>5</b>	Thermostat indicator	<b>10</b>	Ignition switch

## OVEN CONTROLS

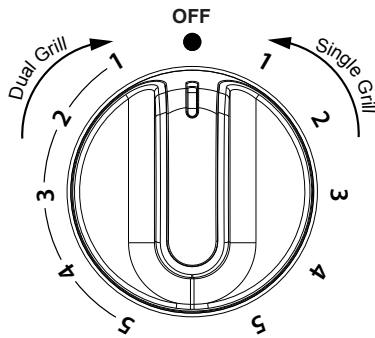
### Gas oven



### Gas Grill/Hob



### Electric grill



## APPLIANCE FUNCTIONS

**Note:** Your oven may not have all of the functions shown here. We recommend for best cooking results, please preheat your oven for 15 minutes and 3-5 minutes for grilling.

	Intense Baking
	Base Heat with Fan
	Slow Cook
	Fanned Grill
	Oven Selector Control
	Conventional Grill
	Top Heat
	Lights Only
	Defrost
	Conventional oven
	Fanned Oven
	Low Grill
	Single Grill
	Dual Grill
	Base Heat

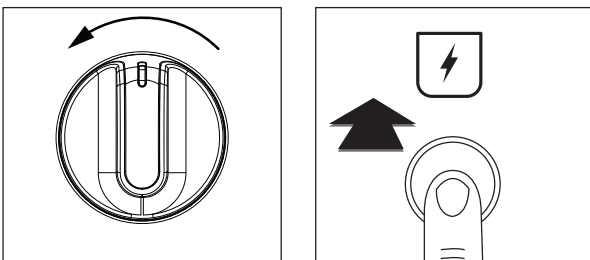


# USING YOUR APPLIANCE

## OVENS AND GRILL

- ⚠ The door must be open when the grill is used for conventional grilling.
- i Some appliances are automatic ignition and do not have an ignition switch fitted.

Choose the required setting and press the ignition switch (if fitted).



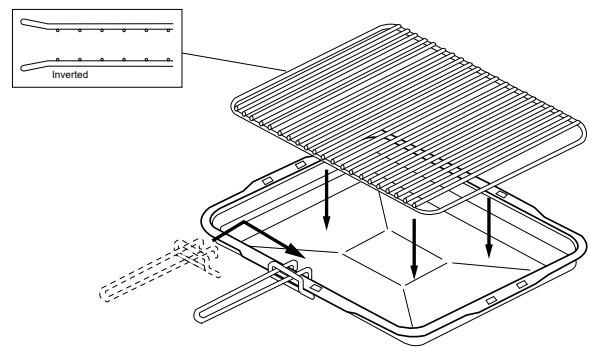
When the Top oven/grill or grill is switched on, the cooling fans come on to keep the fascia and control knobs cool during cooking/grilling. The cooling fans may operate when the main ovens are in use, depending on the temperature setting. The fans may continue to operate for a period after the oven/grill has been switched off. During use the fan may cycle on and off, this is normal.

- ⚠ Important: Never put items directly on top the base of the oven, or cover the oven base with foil, as this may cause the element to overheat. Always position items on the shelf.
- ⚠ Never operate the grill between the large flame and the 'OFF' position.
- i If you find that over a period of time the oven becomes hotter when used at a certain gas mark, the thermostat may need to be replaced.

## GRILL PAN, TRIVET AND DETACHABLE GRILL PAN HANDLE

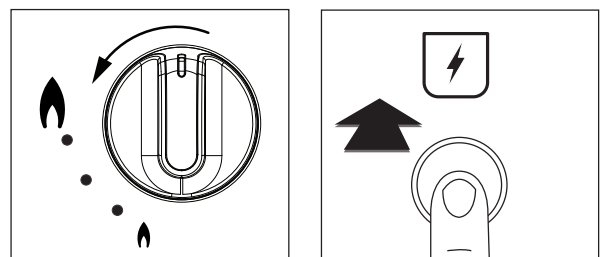
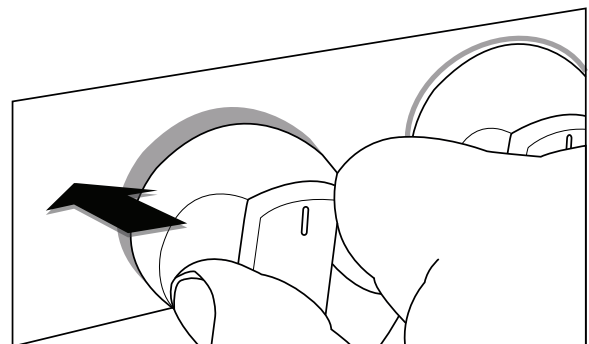
The grill trivet (inside the grill pan) can be inverted to give a high or low position, or it may be removed. The speed of grilling can be controlled by selecting a higher or lower shelf position, or adjusting the grill setting.

- i **Note:** Grill pan handle not included. This can be purchased as an optional extra from our spares store.



- ⚠ The door must be open when the grill is used for conventional grilling.

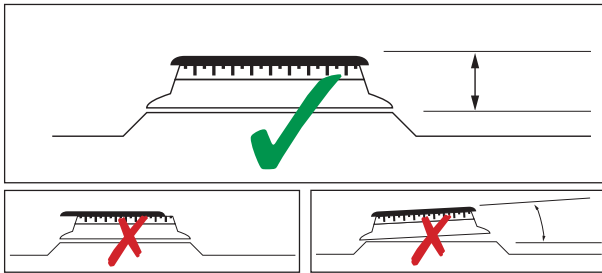
## HOB



1. Hold the control knob and press the ignition in for up to 15 seconds then release. For the wok, please allow the burner to warm up for a few minutes.
2. Once lit, turn the control knob to the required setting.

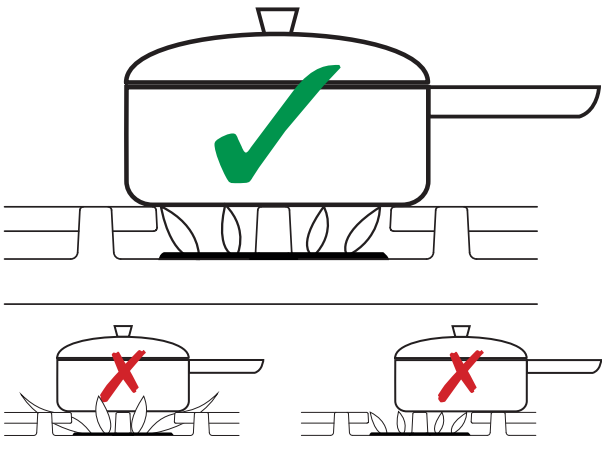
**i** If the burner fails to ignite within this time, release the control knob and wait 1 minute before attempting to re-ignite.

### FITTING BURNER CAPS AND HEADS



### PAN PLACEMENT

Always make sure that your pans are placed centrally and do not allow the flame to extend over the base of the pan. Do not place pans directly onto the burners.



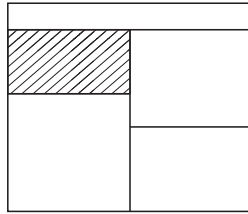
### PAN SIZES REQUIRED

Hob Cook Zones	Minimum Pan Sizes (mm)	Maximum Pan Sizes (mm)
Rapid & Wok	100	260
All other cook zones		250

**⚠** Warning: Do not allow cooking vessels to overlap cooking zones

## USING THE GRILL

---



### BEFORE YOU START GRILLING. . . .

Before you use the grill, make sure you have placed the grill shelf in the position you need as once the grill is on you may injure yourself if you try to move the shelf.

- Do not close the door while the grill is in use.
- Turn the top oven control knob to the required grill setting.
- Turn the grill control knob (if fitted) to the heat setting you require.
- To switch off, return the control knob(s) to the 'off' position.
- The cooling fan will come on during use, and may continue to run for some time afterwards.
- To adjust your results, you can turn the grid over, or remove it altogether.
- The dual grill uses all of the top element and is ideal for grilling large quantities of food.
- The single grill uses part of the element only, and is better suited to grill smaller amounts of food.

### THE GRILL PAN

This appliance comes with a grill pan and trivet.

### SHELF & TRIVET ADJUSTMENTS

Speed of grilling can be adjusted by changing the shelf position or the turning the trivet.

- High: For thin foods and toasting
- Low: For thicker meat pieces.

### ALUMINIUM FOIL

- ⚠ Never cover the grill pan or grill trivet with foil, or allow fat to build up in the grill pan, as this creates a fire hazard.
- ⚠ Accessible parts may become hot when the grill is in use. Children should be kept away

### TYPES OF GRILL

- ⚠ **Caution:** Accessible parts may be hot when the grill is used – young children should be kept away.
- ⚠ **Important:** The grill door must be fully open when the grill is used.
- ⚠ **Important:** Never operate the grill between the large flame and the 'OFF' position.
- ⚠ If cleaning the grill pan when it is hot, use oven gloves to move it.
- i Food for grilling should be positioned centrally on the trivet.

**Dual grill:** has two grill elements which can be used together, or as a single grill.

**For best results:** Pre-heat the single grill for 5 minutes and the dual grill for 3 minutes.

## **USING THE GRILL**

The top oven must be turned off to enable the grill to be used.

Open the grill door. Turn the grill control knob to the required setting. For best cooking results, we recommend that you preheat the grill for about 3 minutes.

The speed of grilling can be controlled by selecting a higher or lower shelf position. For toasting, and for grilling foods such as bacon, sausages or steaks, use a higher shelf position. For thicker foods such as chops or chicken joint pieces, use a middle to low shelf position.

The grill trivet, inside the grill pan, can be inverted to give a high or low position, or it may be removed. The HIGH trivet position is suitable for toasting bread. The LOW trivet position is suitable for grilling all types of meat & fish.

With the grill trivet removed the food is placed directly on the base of the grill pan – eg: when cooking whole fish or browning dishes such as cauliflower cheese.

To switch off, turn the control knob to the off position.

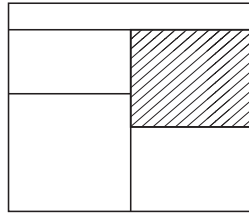
## **THE COOLING FAN**

During use the fan may cycle on and off, this is normal.

When the grill is switched on, the cooling fan comes on to keep the fascia and control knobs cool during grilling. The fan may continue to operate for a period after the grill has been switched off.

# USING THE MAIN OVEN - GAS

---



**⚠** Accessible parts may be hot when the oven is used. Young children should be kept away.

## OVEN FURNITURE

### Oven shelves

The oven shelf must be positioned with the upstand at the rear of the oven and facing upwards.

**i** Extra shelves may be ordered from your local supplier.

### Baking tray and roasting tins

For best cooked results and even browning, the recommended size baking trays and roasting tins that should be used are as follows;

- Baking tray 350mm x 330mm

This size of baking tray will hold up to 12 small cakes.

- Roasting tin 370mm x 320mm

**i** Position baking trays and roasting tins on the middle of the shelves, and leave one clear shelf-position between shelves, to allow for circulation of heat.

**i** We recommend that you use good quality cookware. Poor quality trays and tins may warp when heated, leading to uneven baking results.

### Shelf positions

As a general guide, when cooking frozen or chilled food, use the highest possible shelf position, while allowing some clearance between the food and the top element. Follow the instructions given on packaging.

## IGNITION

1. Push in and turn the main oven control knob to the 'FULL ON' position. Hold the control knob in. If after 15 seconds, the burner has not lit, turn off the oven and leave the compartment door open. Wait at least one minute before a further attempt to ignite the burner.

**i** Do not hold the control knob in for more than 15 seconds.

2. Turn the control knob to the required setting.
3. To turn off, return the control knob to the "off" position.
4. Preheat the main oven for 15 minutes. If you are not preheating the oven, the cooking times in the baking guides may need to be extended, as they are based on a preheated oven.

**i** The oven must be preheated when reheating frozen or chilled foods, and we recommend preheating for yeast mixtures, batters, soufflés and whisked sponges. Put the oven shelves in the position required before preheating the oven.

## ZONES OF HEAT

The temperature at the centre of the oven corresponds with the selected gas mark and is slightly higher towards the top of the oven and slightly lower towards the oven base. These zones of heat can be useful as different dishes requiring different temperatures can be cooked at the same time, when more than one shelf is used.

- i** The temperature at the oven base is suitable for cooking baked vegetables, baked fruit, milk pudding etc, and for warming bread rolls, soup, coffee, or ovenproof plates and dishes.
- i** If you find that over a period of time, the oven becomes hotter when used at a particular gas mark, the thermostat may need to be replaced.

# COOKING GUIDE

---

## GRILL

Food Type	Time Approx (mins)
<b>Bacon</b>	8 - 15
<b>Sausages</b>	12 - 15
<b>Chops</b>	
- Lamb	10 - 15
- Pork	15 - 25
<b>Toast</b>	
- 2 rounds	1 - 2 (per side)
- 4 rounds	1 - 2 (per side)
<b>Bread products</b>	
- Buns	1 - 2 (per side)
- Tea cakes	1 - 2 (per side)
<b>Cheese on toast</b>	
- 2 rounds	4 - 5
- 4 rounds	4 - 5
<b>Fish</b>	
- Fillets	10 - 15
<b>Chicken</b>	
- Fillets	20 - 30
<b>Beef Steaks</b>	
- Rare	7 - 10
- Medium	10 - 15
- Well done	15 - 20
<b>Gammon Steaks</b>	12 - 15

**i** As with any cooking guide, all times are approximate and can be adjusted to suit personal taste.

# BAKING GUIDE

---

## TOP OVEN

Dish	Recommended gas mark	Suggested shelf position	Approximate cooking time (preheated oven)
Scones	7	top - middle	10 - 15 mins
Meringues	"S" slow cook setting	bottom	2 - 3 hours
<b>Cakes</b>			
Small cakes	5	middle	10 - 15 mins
Whisked sponge	5	middle	20 - 30 mins
Swiss roll	6	middle	10 - 12 mins
Victoria sandwich (2 x 180mm / 7" per shelf)	4	middle (side by side)	20 - 35 mins
Genoese Sponge (2 x 180mm / 7" per shelf)	5	middle	25 - 30 mins
<b>Pastry</b>			
Rough Puff pastry	7	middle	cooking time depends on recipe & type of filling
Flaky / Puff	6	middle	
Shortcrust	6	middle	
Flan	6	middle	
<b>Biscuits</b>			
Shortbread fingers	5	middle - top	
Nut brownies	5	middle	
Brandy snaps	4	middle - top	
Flapjacks	4	middle - top	
Ginger nuts	5	middle - top	



## MAIN OVEN

Dish	Recommended gas mark	Suggested shelf position	Approximate cooking time (preheated oven)
Scones	7	middle - top	8 - 15 mins
Meringues	"S" slow cook setting	bottom	2 - 3 hours
<b>Cakes</b>			
Small cakes	5	middle - top	15 - 25 mins
Whisked sponge	5	middle - top	20 - 25 mins
Swiss roll	6	middle - top	10 - 12 mins
Victoria sandwich (2 x 180mm / 7")	4	middle - top	20 - 30 mins
Genoese sponge	4	middle	20 - 30 mins
Madeira (180mm/7")	3	middle	1 - 1¼ hours
Gingerbread	3	middle	1 - 1¼ hours
Semi rich fruit cake (205mm/8")	2 or 3	middle - top	2½ - 3 hours
Christmas cake (205mm/8")	1 or 2	bottom	depending on recipe
Dundee cake (205mm/8")	3	middle - bottom	2 - 2½ hours
<b>Pastry</b>			
Rough Puff pastry	7	middle - top	cooking time depends on recipe & type of filling
Puff / flaky pastry	6	middle - top	
Shortcrust pastry	6	middle - top	
Flan	6	middle - top	
<b>Biscuits</b>			
Nut brownies	5	middle - top	25 - 35 mins
Brandy snaps	4	middle - top	10 - 12 mins
Flapjacks	4	middle - top	20 - 25 mins
Ginger nuts	4	middle - top	10 - 20 mins

**i** Slow cooking times will be about 3 times as long as conventional cooking times.

## GENERAL BAKING GUIDE

### Traditional fruit cakes

It should be remembered that ovens can vary over time, therefore cooking times can vary, making it difficult to be precise when baking fruit cakes.

It is necessary therefore, to test the cake before removal from the oven. Use a fine warmed skewer inserted into the centre of the cake. If the skewer comes out clean, then the cake is cooked.

- i** Follow the temperatures suggested in the recipe and then adjust accordingly to the conversion table.
- i** Do not attempt to make Christmas cakes larger than the oven can cope with, you should allow at least 25mm (1") space between the oven walls and the tin.
- i** Always follow the temperatures recommended in the recipe.
- i** To protect a very rich fruit cake during cooking, tie 2 layers of brown paper around the tin.
- i** We recommend that the cake tin is not stood on layers of brown paper, as this can hinder effective circulation of air.
- i** Do not use soft tub margarine for rich fruit cakes, unless specified in the recipe.
- i** Always use the correct size and shape of tin for the recipe quantities.

### Trouble-shooting – fruit cakes

Problem	Possible Cause
Fruit sinking to the bottom	Low oven temperature which may cause the cake to take longer to set, allowing the fruit to sink. Or, too much liquid, or raising agent. The fruit may not have been properly washed and dried.
Cake sinking / dipping in the centre	Too much raising agent in the mixture. Too hot, or too cool an oven. Or, not enough liquid or insufficient creaming.
Surface cracks	Too small a tin, or too much mixture in the tin. Too much raising agent in the mix, plus not enough liquid or insufficient creaming. The oven may be too hot.
Hard outer crust with a damp patch inside	Oven too hot, therefore the cake baked too quickly. Too much sugar, or insufficient liquid.
Burnt outside	Oven temperature too high. Oven too small for the size of cake. Insufficient protection around the tin. Cake baked on too high a shelf.
Texture with pronounced holes.	Too much raising agent. Flour unevenly mixed.
Texture too close and cake insufficiently risen.	Not enough raising agent. Not enough liquid. Too cool an oven. Insufficient creaming.
Cake crumbles when cut	Not enough liquid. Baked for too long. Not enough sugar. Too much baking agent.
Too dry	Over baking. Insufficient egg or liquid. Too much raising agent.

## Trouble-shooting – sponge cakes

<b>Problem</b>	<b>Possible Cause</b>
Domed top	Insufficient creaming of mixture. Cake baked on too high a shelf position, or at too high a temperature. Paper liners can cause the outer edge not to rise and the centre to peak.
Hollowed / sunken top	Too much raising agent. Oven temperature too low, or incorrect shelf position. Cake removed from oven before it's cooked. Use of soft tub margarine.
Very pale, but cooked	Oven temperature too low. Baked too low in the oven
Overflowing tin	Tin too small for the amount of mixture

## ROASTING GUIDE

---

The times given in the roasting guide are only approximate, because the size and age of the bird will influence cooking times as will the shape of a joint and the proportion of the bone.

Frozen meat should be thoroughly thawed before cooking. For large joints it is advisable to thaw over night.

Frozen poultry should be thoroughly thawed before cooking. The time required depends on the size of the bird – eg; a large turkey may take up to 48 hours to thaw.

Use of a trivet with a roasting tin will reduce fat splashing and will help to keep the oven interior clean. Alternatively, to help reduce fat splashing, potatoes or other vegetables can be roasted around the meat/ poultry.

### Notes:

- i** When cooking stuffed meat or poultry calculate the cooking time from the total weight of the meat plus the stuffing.
- i** For joints cooked in foil or covered roasters, and for lidded casseroles, add 5 minutes per 450g (1lb) to the calculated cooking time.
- i** Smaller joints weighing less than 1.25kg (2½lb) may require 5 minutes per 450g (1lb) extra cooking time.
- i** Position the oven shelf so that the meat or poultry is in the centre of the oven.
- i** It is recommended that the appliance is cleaned after open roasting.

Cook in oven at Gas Mark 5		Approximate Cooking Time (preheated oven)
Beef	Rare	20 minutes per 450g (1lb), plus 20 minutes
	Medium	25 minutes per 450g (1lb), plus 25 minutes
	Well done	30 minutes per 450g (1lb), plus 30 minutes
Lamb	Medium	25 minutes per 450g (1lb), plus 25 minutes
	Well done	30 minutes per 450g (1lb), plus 30 minutes
Pork		35 minutes per 450g (1lb), plus 35 minutes
Poultry		20 minutes per 450g (1lb), plus 20 minutes

## ROAST TURKEY

Roasting turkey involves cooking two different types of meat – the delicate light breast meat, which must not be allowed to dry out, and the darker leg meat, which takes longer to cook.

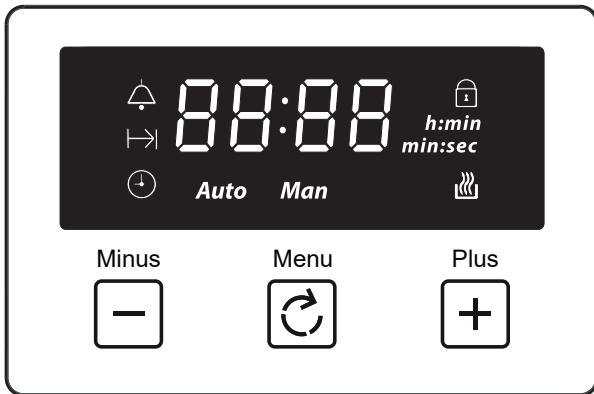
The turkey must be roasted long enough for the legs to cook, so frequent basting is necessary. The breast meat can be covered once browned.

To test if the turkey is cooked, push a fine skewer into the thickest part of the thigh. If the juices run clear, the turkey is cooked. If the juices are still pink, the turkey will need longer cooking.

- ❶ Always make sure that the turkey is completely thawed and that the giblets are removed before cooking.
- ❷ Turkey should be roasted at gas mark 5 for 20 minutes per lb, plus 20 minutes, unless packaging advises otherwise.
- ❸ The turkey can be open roasted, breast side down, for half of the cook time, and then turned over for the remainder of the cooking time.
- ❹ If the turkey is stuffed, add 5 minutes per lb to the cooking time.
- ❺ If roasting turkey covered with foil, add 5 minutes per lb to the cooking time.
- ❻ **Please note:** for all other Roasting guides refer to main oven section and see table.

# CLOCK/PROGRAMMER

- i** Please be aware that only the main oven is controlled by the programmer.
- i Note:** Your clock / programmer may not have all these functions



	Minute minder
	Cooking time / Duration
	Time of day
	Key Lock
	Auto cooking
<b>Auto</b>	Automatic mode
<b>Man</b>	Manual mode
L 11.21.3	Volume level
23:59	7-segment display
99:00	Max. adjustable minute minder
2:59	Max. adjustable cooking time
<b>h:min</b>	Display hours:minutes
<b>min:sec</b>	Display minutes:seconds

## USING THE TOUCH CONTROLS

- Menu – Scroll through to select a function
- Plus – Increase time or volume
- Minus – Decrease time or volume

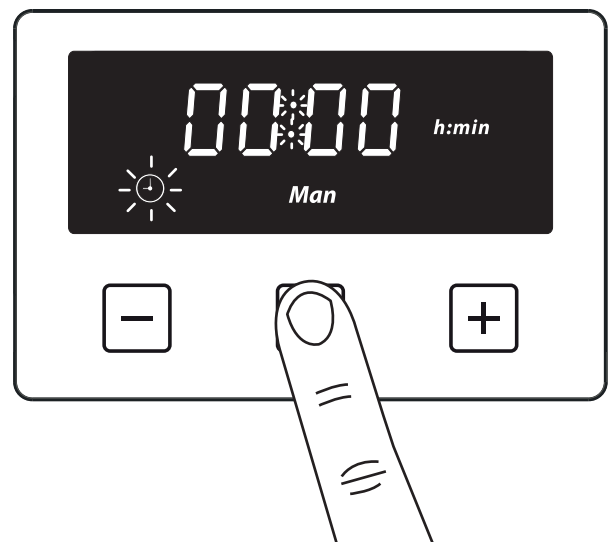
- i** When a function is selected and the time or volume is set, the chosen function will automatically start seven seconds after setting.

## MANUAL MODE

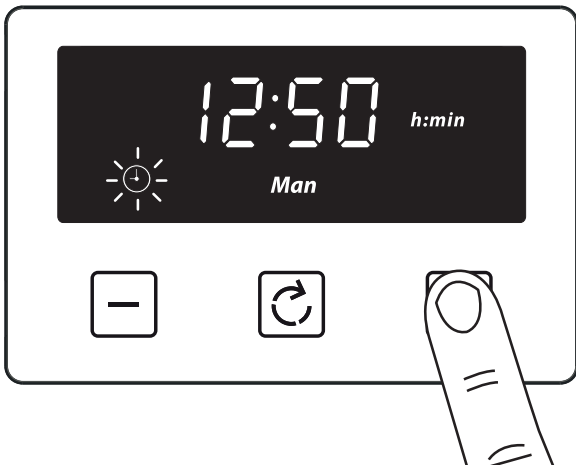
If the programmer is not in 'cook to off' mode you can use oven functions manually. The manual icon is also on the display.

## SETTING THE TIME OF DAY

By pressing menu, scroll through the functions until you reach 'time of day'.



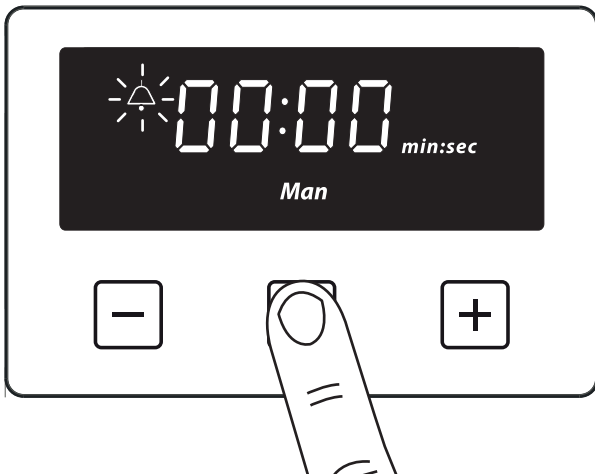
1. Press the function button until the 'time of day' symbol appears



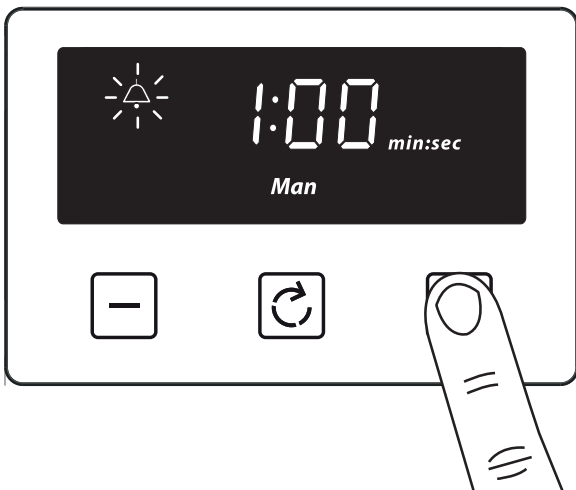
2. Press the plus or minus buttons to set a time

### SETTING THE MINUTE MINDER

The maximum cooking time that can be set is 99 minutes.



1. Press the function button until the 'minute minder' symbol appears



2. Press the plus or minus buttons to set a time

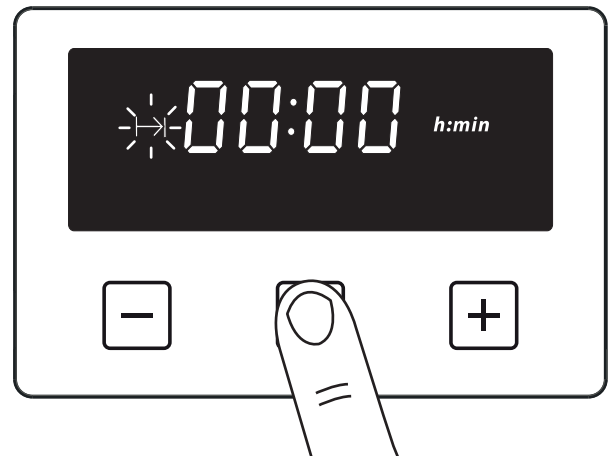
Once set, the minute minder will start to countdown in steps of seconds. The display will show the minute minder symbol and the remaining time. The countdown will continue in the background, if other functions are being set.

When the set time for the minute minder has completed, an alarm is heard and the minute minder symbol will flash on the display. Press any button to stop the alarm and the time of day is displayed.

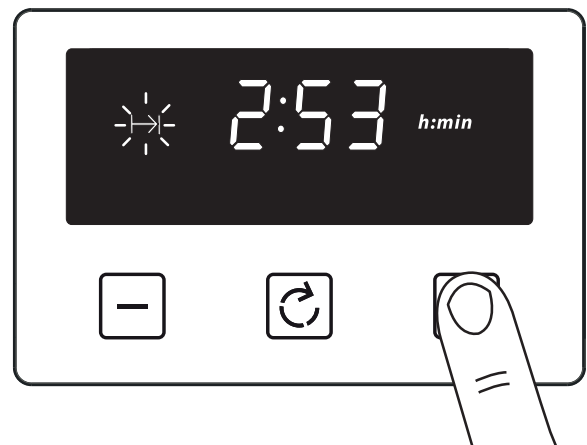
### To modify or cancel the minute minder

Return to the minute minder function and use either the plus or minus buttons to adjust the time. By setting the time to '0.00', this will cancel the countdown.

### SETTING THE COOKING TIME (COOK TO OFF)



1. Press the function button until the 'cooking time' symbol appears



2. Press the plus or minus buttons to set a time

Once set, the auto cooking symbol and the time of day is displayed.

When cooking is completed, an alarm is heard and the manual mode symbol flashes on the display. Press the Menu button to stop the alarm and then the 'time of day' will then be displayed. Pressing the Menu button again will return to manual mode.

- i** Note: Only the bottom left hand oven can use the Semi Automatic cooking function.
- i** The maximum cooking time that can be set is 23 hours and 59 minutes.

### To modify or cancel the cooking time

Return to the 'cooking time' function and use either the plus or minus buttons to set the time. By setting the time to '0.00', this will cancel the countdown.

- Enter cooking duration as described in 'Setting the cooking time' section.

The display shows the current 'time of day' plus the 'end of cooking time' symbol. The latest 'end of cooking time' is limited to the current 'time of day' plus the maximum time that can be set (23 hours and 59 minutes).

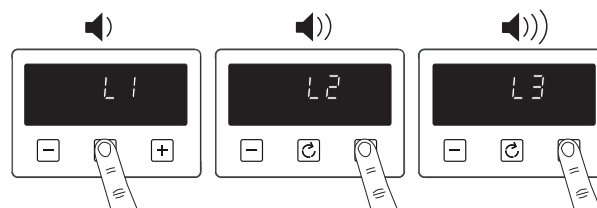
The auto cooking symbol disappears from the display once the time, the required cooking settings and temperature have been set. The appliance will not be switched on until the set cooking start time, that is the difference between the cooking end time and the cooking duration.

When cooking is completed, an alarm is heard and the manual mode symbol flashes on the display. Press the Menu button to stop the alarm and then the 'time of day' will then be displayed. Pressing the Menu button again will return to manual mode.

### To modify or cancel the end cooking time

Return to the 'end of cooking time' function and use either the plus or minus buttons to set the time. The 'end of cooking time' can be deleted by counting back using the minus button until it equals the current time of day.

### SETTING THE VOLUME

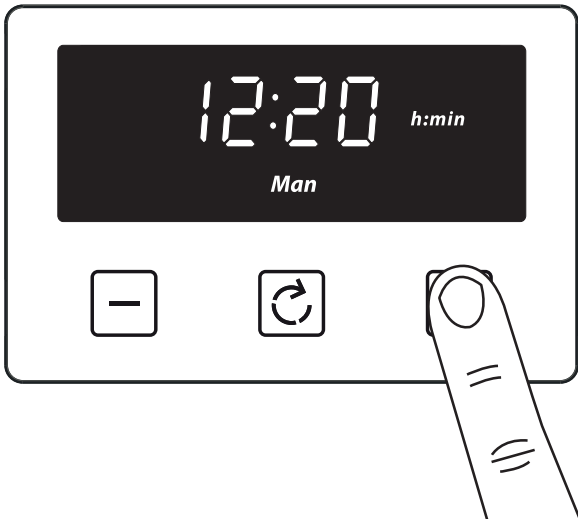


- Press the menu button until "LX" (X = 1, 2 or 3) flashes on the display. Use the plus or minus buttons to select a tone.

- i** Note: Default tone is L3



## ACTIVATING / DEACTIVATING KEY LOCK



1. Press and hold the plus button for 3-5 seconds



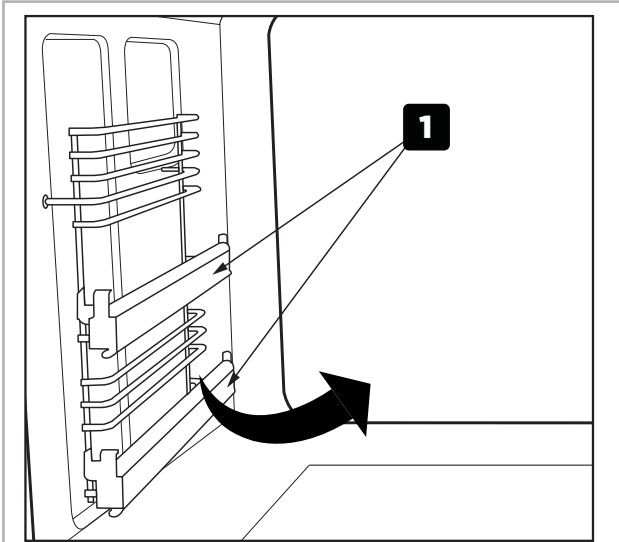
Once the Key lock is active, the buttons will be inactive. A two beep signal will be heard if the buttons are pressed.

### To deactivate the Key lock

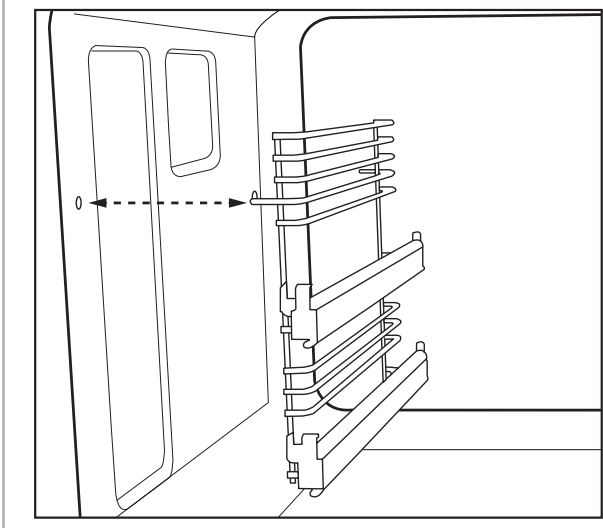
- Press and hold the plus button for 3-5 seconds. The Key lock symbol will disappear and the appliance can continue to be used.
- ❗ Note: In case of main power loss for a short time (about 1.5 minutes), timer maintains its status.
- ❗ Key lock status and buzzer tone are memorized independent of the power loss duration.

# REMOVING SHELF RUNNERS

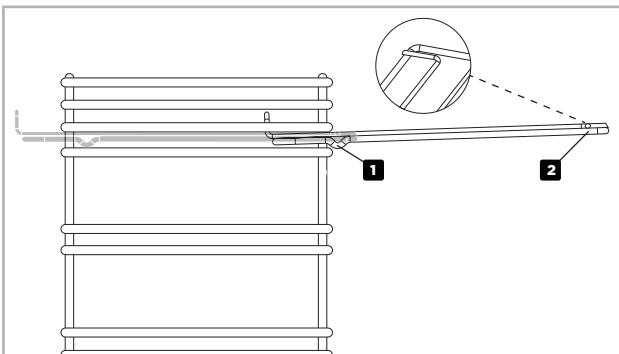
## REMOVING SHELF RUNNERS



**1** Telescopic positions (if fitted)



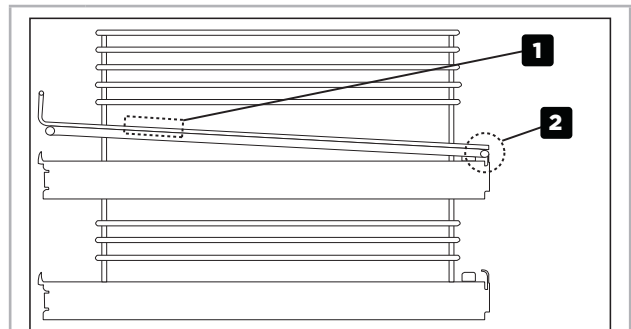
## STANDARD SHELVES



Front of appliance

1. Slightly raise the shelf and insert in the chosen shelf position
2. Ensure the shelf is fully pushed back towards the back of the oven, until the shelf stopper is reached.

## REMOVING TELESCOPIC SHELVES (IF FITTED)

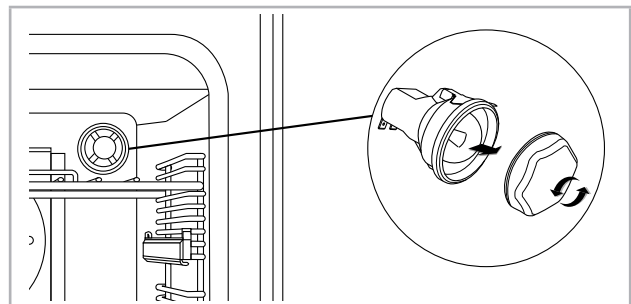


### Front of appliance

- |          |                                    |
|----------|------------------------------------|
| <b>1</b> | Grasp and lift shelf               |
| <b>2</b> | Lift shelf from the retaining tabs |

- i** Before removing the shelves completely, please make sure that the shelf is unclipped from the retaining tabs.

## CHANGING THE LIGHT BULB

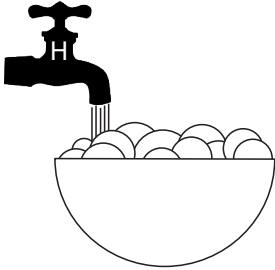


- ⚠ Warning!** Switch off the power before you change the light bulb.

- i** Not all appliances have the same number and type of bulbs. Before you replace your bulb, check to see what type you have. Please remember that bulbs are not covered by your warranty.

# CLEANING YOUR APPLIANCE

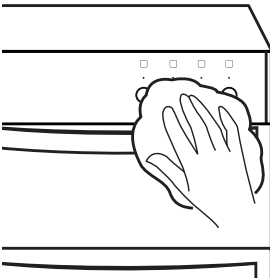
## DO'S



- Warm, soapy water



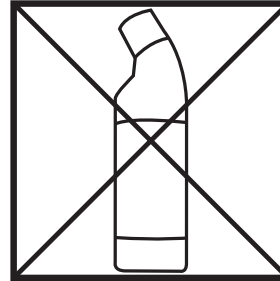
- Clean, wrung out cloth



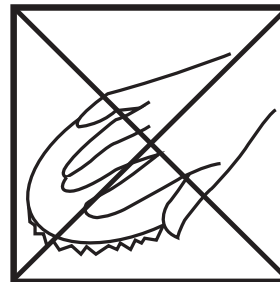
- Wipe with damp cloth
- Dry with a soft cloth

- i** **Note:** Always switch off your appliance and allow it to cool down before you clean any part of it.
- i** **Note:** Please take extra care when cleaning over the symbols on the control panel, as this can lead to them fading.
- i** **Tips:** Some foods can mark or damage the metal or paint work e.g.; Vinegar, fruit juices and salt. Always clean food spillages as soon as possible.

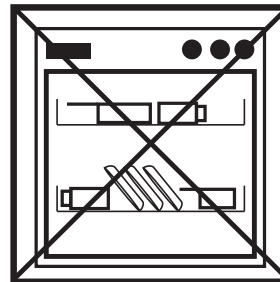
## DON'TS



- Undiluted bleaches
- Chloride products



- Wire Wool
- Abrasive cleaners
- Nylon pads
- Steam cleaners



Do not place in the dishwasher:

- Cast iron griddle
- Pan supports

- !** It is important to clean your appliance regularly as a build up of fat can affect its performance or damage it and may invalidate your guarantee.
- !** In addition to the above, do not use metal scrapers to clean the oven door glass.
- i** We offer a great range of cleaning products and accessories for your appliance. To shop, please visit our website located at the front of this User Guide.

## TECHNICAL DATA

---

**⚠ WARNING** – This cooker must be earthed

### GAS - RANGE

<b>Data badge</b>	Lower part of the front frame
<b>Appliance class</b>	Class 1 - freestanding cooker
<b>Electrical supply</b>	220 - 240 V
<b>Gas category</b>	Natural Gas I2H & LP Gas I3+
<b>Type of gas</b>	Please see data badge for your specified gas type. Can be converted from natural gas to LPG. Never attempt to convert an appliance unless the data badge states you can.
<b>Gas pressure settings</b>	G20 Natural gas @ 20 mbar G30 Butane @ 28-30mbar G31 Propane @ 37mbar
<b>Pressure test point</b>	Use the oven injector.
<b>Burner Aeration</b>	Fixed

Burner / Element	Nat Gas		LPG		Butane g/h	Propane g/h
	(kW)	Injector	(kW)	Injector		
Hob - small x 2	1.00	77	1.00	50	73	72
Hob - medium x 3	2.00	104	2.00	70	145	143
Hob - large	3.00	129	3.00	87	218	215
Hob - wok	4.00	152	4.00	100	291	286
Grill	2.40	115	2.40	76	176	172
Main Oven	2.50	180 amal	2.40	70 amal	182	179

### ELECTRICAL SUPPLY / LOAD

Electrical supply	Max load (W)
240 V	70

Oven Lamps / Fans	
Lamps	25 W each
Cooling fans	10 W each







[WWW.BELLING.CO.UK](http://WWW.BELLING.CO.UK)



Stoney Lane, Prescott, Merseyside L35 2XW

[belling.co.uk](http://belling.co.uk)

**Customer Care**

0344 815 3740

**Product Information Helpline**

0344 248 4149